

IPC608AC

4K Anti-corrosion Camera with Tailored Coating, for Sea Shores, Marine, Chemical Factories, Mining Industry, Ports.



Outstanding Features

- **4K ULTRA HD RESOLUTION** - Presenting 8 Megapixels (3840x2160) vivid video with 4x more details than regular HD camera; Wide view angle; Efficient bandwidth control with the advanced H.265 compression.
- **ANTI-CORROSION DESIGNED** - Stainless steel with special coating tailored to resist corrosion, dedicated anti-corrosion cable, powerful sealing performance, designed to be used in corrosive environment permanently. Suitable for Sea Shores, Marine, Chemical Factories, Mining Industry, Ports, etc.
- **EASY REMOTE ACCESS** - Comes with intuitive WEB GUI, compatible to Chrome/Safari/IE/Edge and no plug-in or ActiveX is required; Free mobile App with Cloud access; Also provide PC based VMS software to centralized manage tens of cameras from different sites. Offer API for 3rd party access.
- **MAX 100ft IR DISTANCE** - Equipped with IR LEDs to enable max 100ft (30m) night vision distance.
- **2600ft LONG RANGE VERSION IS AVAILABLE** - Working with POE-EXT3001LP(2 Pack), the transmission distance can be extended to 2600ft (800m). It is widely used in Mining Industry and other places where need long distance application.

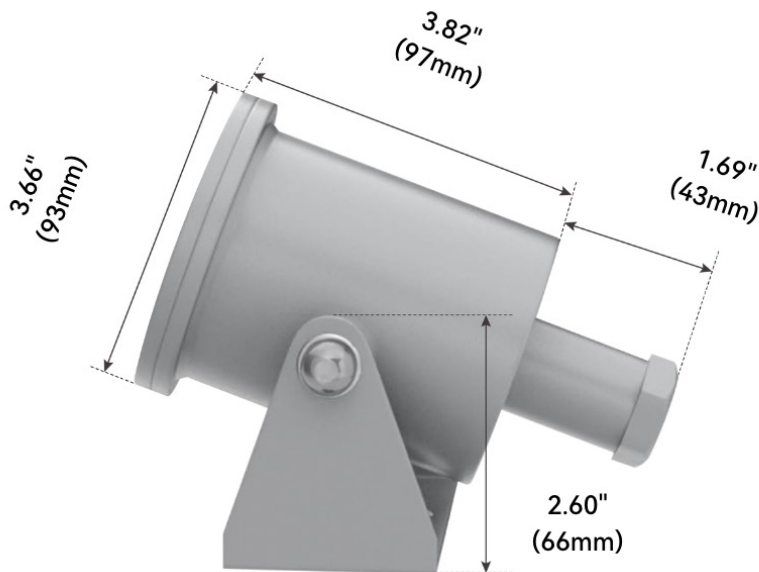
Specification

| | |
|-----------------------------|--|
| Camera | |
| Image Sensor | 1/1.8" Progressive Scan CMOS |
| Min. Illumination | Color: 0.003 Lux @ (F1.6, AGC ON), B/W: 0 Lux with IR |
| Shutter Speed | 1/3 s to 1/100,000 s |
| Slow Shutter | Yes |
| P/N | P/N |
| Wide Dynamic Range | 120 dB |
| Day & Night | IR cut filter |
| Angle Adjustment | Pan: 0 to 360°, tilt: 0 to 90°, rotation: 0 to 360° |
| Lens | |
| Lens Type | Fixed focal lens, 2.8 |
| Iris Type | Fixed |
| Focal Length & FOV | 2.8 mm, horizontal FOV 102°, vertical FOV 55°, diagonal FOV 120° |
| Aperture | F1.6 |
| Lens Mount | M12 |
| DORI | |
| DORI | 2.8 mm: D: 89.2 m, O: 35.4 m, R: 17.8 m, I: 8.9 m |
| Illuminator | |
| Supplement Light Type | IR |
| IR Range | Up to 30 m |
| IR Wavelength | 850 nm |
| Smart Supplement Light | Yes |
| Video | |
| Max. Resolution | 3840 × 2160 |
| Main Stream | 50 Hz: 25 fps (3840 × 2160, 3200 × 1800, 2688 × 1520, 1920 × 1080, 1280 × 720) |
| | 60 Hz: 24 fps (3840 × 2160) |
| | 30 fps (3200 × 1800, 2688 × 1520, 1920 × 1080, 1280 × 720) |
| Sub-Stream | 50 Hz: 25 fps (640 × 480, 640 × 360) |
| | 60 Hz: 30 fps (640 × 480, 640 × 360) |
| Third Stream | 50 Hz: 10 fps (1920 × 1080, 1280 × 720, 640 × 480, 640 × 360) |
| | 60 Hz: 10 fps (1920 × 1080, 1280 × 720, 640 × 480, 640 × 360) *Third stream is supported under certain settings. |
| Video Compression | Main stream: H.265/H.264/H.264+/H.265+ Sub-stream: H.265/H.264/MJPEG |
| | Third stream: H.265/H.264 *Third stream is supported under certain settings. |
| Video Bit Rate | 32 Kbps to 16 Mbps |
| H.264 Type | Baseline Profile/Main Profile/High Profile |
| H.265 Type | Main Profile |
| H.264+ | Main stream supports |
| H.265+ | Main stream supports |
| Bit Rate Control | CBR/VBR |
| Scalable Video Coding (SVC) | H.264 and H.265 encoding |
| Region of Interest (ROI) | 1 fixed region for main stream and sub-stream |
| Network | |
| Simultaneous Live View | Up to 6 channels |
| API | Open Network Video Interface (PROFILE S, PROFILE G, PROFILE T), ISAPI, SDK |
| Protocols | TCP/IP, ICMP, HTTP, HTTPS, FTP, DHCP, DNS, DDNS, RTP, RTSP, NTP, UPnP, SMTP, IGMP, 802.1X, QoS, IPv4, IPv6, UDP, Bonjour, SSL/TLS, PPPoE, SNMP, ARP, WebSocket, WebSockets |
| User/Host | Up to 32 users. 3 user levels: administrator, operator and user |
| Security | Password protection, complicated password, HTTPS encryption, IP address filter, Security Audit Log, basic and digest authentication for HTTP/HTTPS, TLS 1.1/1.2, WSSE and digest authentication for Open Network Video Interface |
| Network Storage | MicroSD/SDHC/SDXC card (256 GB) local storage, and NAS (NFS, SMB/CIFS), auto network replenishment (ANR) Together with high-end Hikvision memory card, memory card encryption and health detection are supported. |
| Client | iVMS-4200, Hik-Connect, Hik-Central |
| Web Browser | Plug-in required live view: IE 10+ Plug-in free live view: Chrome 57.0+, Firefox 52.0+ Local service: Chrome 57.0+, Firefox 52.0+ |

Specification

| | |
|----------------------------------|---|
| Image | |
| Day/Night Switch | Day, Night, Auto, Schedule |
| Target Cropping | Yes |
| Image Enhancement | BLC, HLC, 3D DNR |
| Image Parameters Switch | Yes |
| Image Settings | Rotate mode, saturation, brightness, contrast, sharpness, gain, white balance adjustable by client software or web browser |
| SNR | ≥ 52 dB |
| Interface | |
| On-Board Storage | Built-in micro SD, up to 256 GB |
| Hardware Reset | Yes |
| Ethernet Interface | 1 RJ45 10 M/100 M self-adaptive Ethernet port |
| Event | |
| Basic Event | Motion detection (human and vehicle targets classification), video tampering alarm, exception |
| Smart Event | Scene change detection |
| Deep Learning Function | |
| Face Capture | Yes |
| Perimeter Protection | Line crossing detection, intrusion detection, region entrance detection, region exiting detection Supports human and vehicle targets classification |
| General | |
| Web Client Language | 33 languages English, Russian, Estonian, Bulgarian, Hungarian, Greek, German, Italian, Czech, Slovak, French, Polish, Dutch, Portuguese, Spanish, Romanian, Danish, Swedish, Norwegian, Finnish, Croatian, Slovenian, Serbian, Turkish, Korean, Traditional Chinese, Thai, Vietnamese, Japanese, Latvian, Lithuanian, Portuguese (Brazil), Ukrainian |
| General Function | Anti-flicker, heartbeat, mirror, privacy mask, flash log, password reset via email, pixel counter |
| Software Reset | Yes |
| Linkage Method | Upload to FTP/NAS/memory card, notify surveillance center, send email, trigger recording, trigger capture |
| Storage Conditions | -30 °C to 60 °C (-22 °F to 140 °F). Humidity 95% or less (non-condensing) |
| Startup and Operating Conditions | -30 °C to 60 °C (-22 °F to 140 °F). Humidity 95% or less (non-condensing) |
| Power Supply | 12 VDC ± 25% PoE: 802.3af, Class 3 |
| Power Consumption and Current | 12 VDC, 0.5 A, max. 6 W PoE (802.3af, 36V to 57V), 0.2 A to 0.13 A, max. 7.2 W |
| Power Interface | Ø 5.5 mm coaxial power plug |
| Camera Material | Metal |

Dimension



Weight: 3.5lbs (1.59kg)