

POE-Driver30

High-Efficiency PoE Driver Designed Specifically for LED Lighting



Outstanding Features

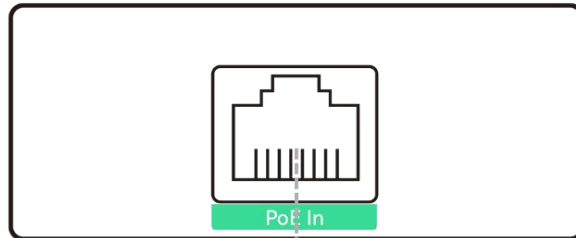
- **Constant Current Output:** As most LEDs are current-driven device instead of voltage-driven, this Constant Current Driver ensures that the LED receives the optimal amount of current for consistent performance and prevents damage from voltage fluctuations.
- **High Efficiency:** When the current is consistent, the light output is more stable, and the LED operates within its optimal performance range.
- **Better Compatibility with Different LED Types:** In many lighting applications, LEDs are arranged in series. A constant current driver ensures that the current supplied to each LED is identical, which is crucial for maintaining uniformity in brightness and color temperature across the array.
- **Enhanced Longevity and Reliability:** LEDs are sensitive to both overcurrent and over-voltage. This LED driver ensures that the LED receives just the right amount of current, helping to prevent early failure and degradation caused by excessive current.
- **Plug-n-Play Operation:** No configuration is required.

Hardware Specifications

Power	
Supply Protocol	IEEE 802.3 af/at MAX. 30W
Supply Mode	Mode A & Mode B
Output Voltage Ranges	3~54V
Output Current	Constant 600mA
Interface	
PoE In	1* RJ45
DC Output	1* 2P Terminal
Mechanical Specs	
Dimensions (W*H*D)	60 x 25 x 100 mm (2.36 x 0.984 x 3.93 in)
Weight	82g (0.18 lb)
Protection Rating	IP40
Housing	Metal
Cooling	Fanless
Ambient Environment	
Storage Temperature	-40°C to +85°C (-40°F to +185°F)
Operating Temperature	-40°C to +55°C (-40°F to +131°F)
Ambient Humidity	0% to 95% (non-condensing) at 25°C/77°F
Ethernet Isolation	1.5 kV RMS
Indicator	
Power	1 × Green LED

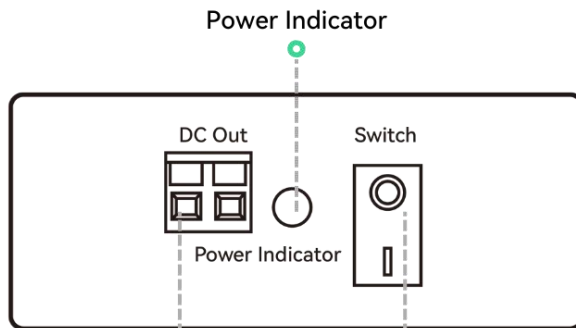
Interface

Front View



802.3af/at30W Input

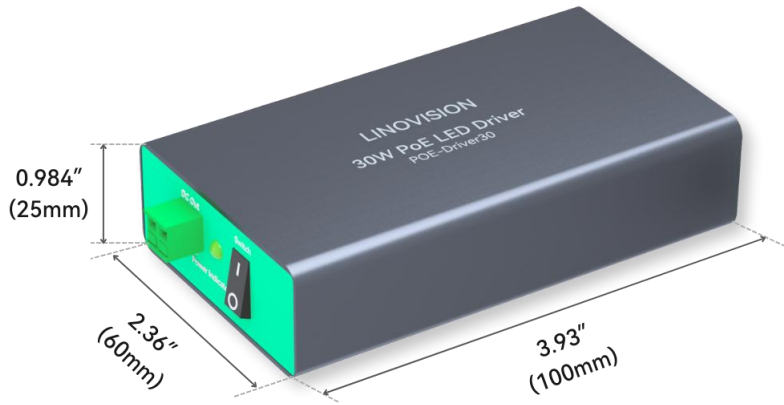
Back View



600mA Constant
Current Output

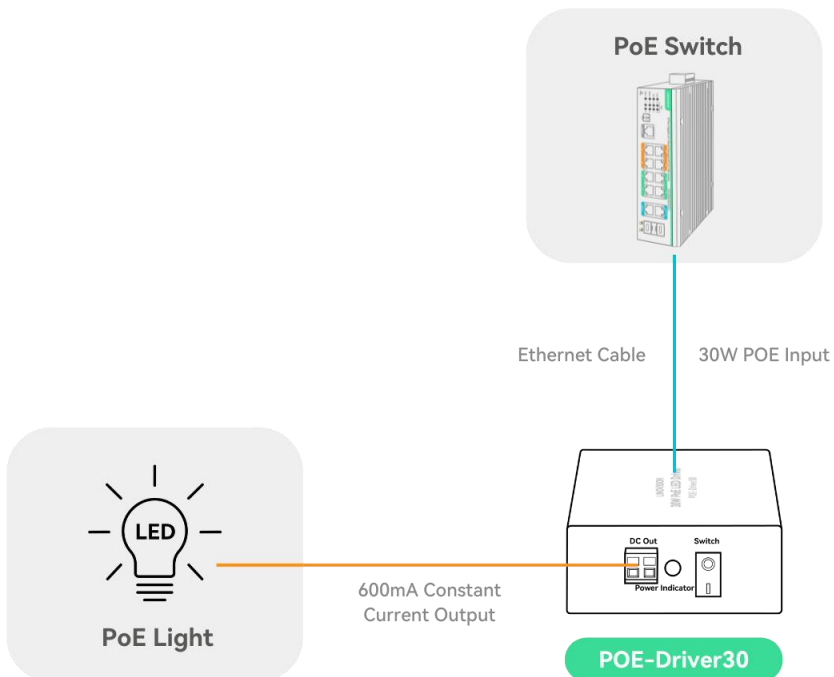
Switch

Dimension



Weight: 82g (0.18 lb)

Connection Diagram



Package Contents



POE-Driver30



Terminal



User Manual