

LINOVISION

2.5G BT90W PoE Splitter
POE-SP02BT-POEG25
Quick Guide (V1.1/2026-5-20)



Quick Guide

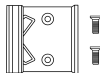
Package Contents



POE-SP02BT-POEG25



Terminal

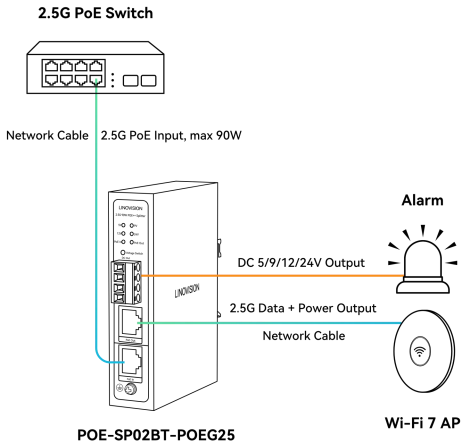


DIN-Rail
Mounting Accessory

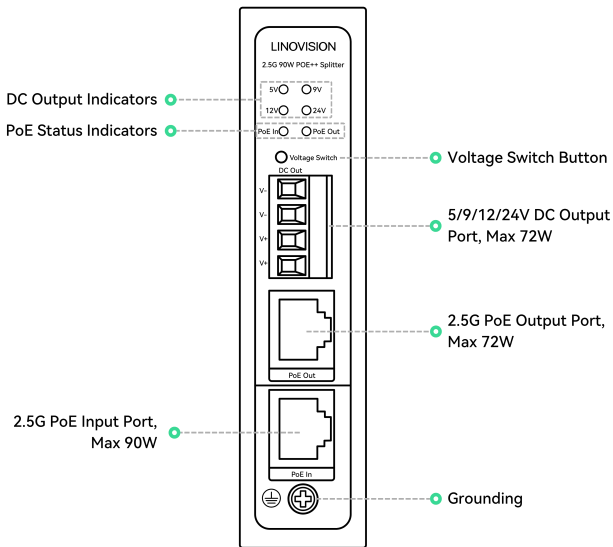


User Manual

Connection Diagram

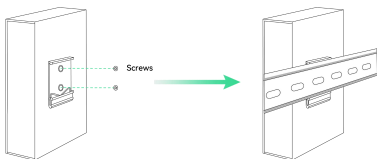
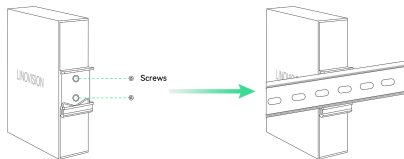


Interface



72W max output for whole devices(DC Output + PoE Output)

Installation



DIN-rail Installation & Wall Mounting

Specifications

Model	POE-SP02BT-POEG25
Ports	1 * 10/100/1000/2500M RJ45 PoE Port (DATA + POWER IN) 1 * 10/100/1000/2500M RJ45 PoE Port (DATA + POWER OUT) 1 * DC interface (DC OUT)
Network Media	10Mbps: Cat 3,4,5 Unshielded Cable 100Mbps: Cat 5,5E Unshielded Cable 1000Mbps: Cat 5E, 6 Unshielded Cable 2500Mbps: Cat 5E, 6 Unshielded Cable
Pass Through Data Rates	10/100/1000/2500 Mbps
POE Output Pin Assignment	1/2 (+) 3/6 (-) ; 4/5 (+) 7/8 (-)
Power Output	Adjustable 5VDC/10A max, 9VDC/7.8A max, 12VDC/5.9A max(default), 24VDC/3A max
Input Power Requirements	DC Input Voltage: 44 to 57V DC
Indicators	PoE Indicators / DC out Voltage Indicators
Connectors	Shielded RJ-45, EIA 568A and 568B
Dimensions	4.69 × 3.37 × 1.1" (119 × 85.5 × 28mm)
Environmental Conditions	Operating Ambient Temperature: -40°F to 167°F (-40 to 75°C) Operating Humidity: Maximum 90%, Non-condensing Storage Temperature: -40°F to 167°F (-40 to 75°C) Storage Humidity: Maximum 95%, Non-condensing
Regulatory Compliance	IEEE 802.3af (PoE) IEEE 802.3at (PoE) IEEE 802.3bt (PoE) IEEE 802.3 (Ethernet) IEEE 802.3u (Fast Ethernet) IEEE 802.3ab (Gigabit Ethernet)

LED Indicators

LED	Color	Status	Description
5V / 9V / 12V / 24V	Green	ON	Indicates the selected DC output voltage is active (only one LED will be ON at a time).
		OFF	Indicates the corresponding voltage is not active.
PoE In	Green	ON	PoE power input is detected.
		OFF	No PoE power input.
PoE Out	Green	ON	PoE connection is established.
		OFF	No PoE connection.