

POE-SW508G2

Industrial 8 Ports Full Gigabit PoE Switch with 4 BT90W Ports

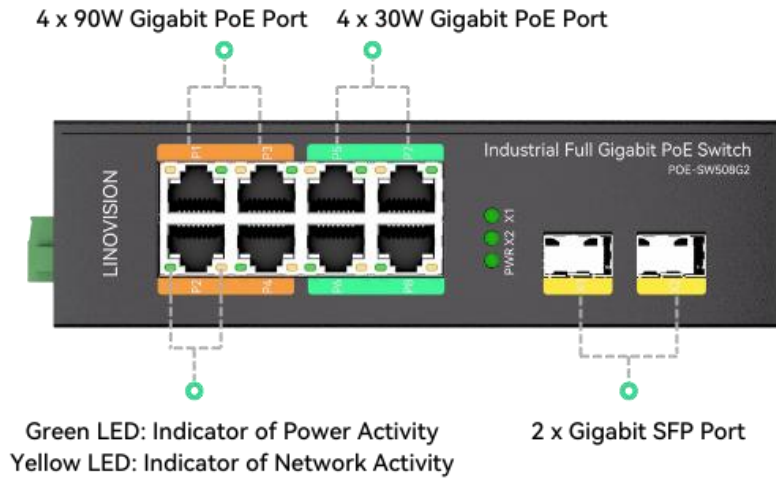


Outstanding Features

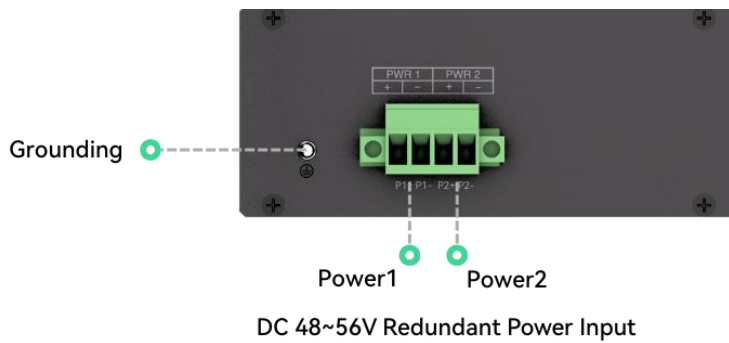
- **8 PORT FULL GIGABIT POE SWITCH:** Provides 8 10/100/1000Mbps PoE+ ports and 2 10/100/1000Mbps SFP Uplink ports. (SFP module is purchased separately, SFP-GE-RJ45)
- **BT90W POE++ OUTPUT:** Port 1-4 support BT 90W PoE++ output. It supports big power PTZ cameras, PoE light or PoE monitor. And it offers great cabling flexibility when bundling with PoE extenders and Passthrough PoE Switches.
- **GREAT COMPATIBILITY:** Compliant with IEEE 802.3af/at/bt PoE Standards, works well with PoE / PoE+ / PoE++ / Non-PoE devices, like PTZ camera, IP cameras, PoE VoIP Phones, PoE Wireless APs, IoT devices, etc.
- **REDUNDANT POWER SUPPLY:** from two independent power sources (DC 48-56V), ensure top reliability operation.
- **POE WATCHDOG:** Realtime monitor status of PoE load devices and automatically reboot PoE ports when the connected devices are not active.
- **UL Listed 120W Power Included:** Optional 240W Power adapter NDR-240-48 or 480W Power adapter NDR-480-48.
- **INDUSTRIAL DESIGN:** For harsh environment, with IP40 metal enclosure, wide working temperature from -40 °F to +167 °F (-40 °C to +75 °C) , Support DIN-rail or wall mounted installation, 6kV surge protection.

Interface

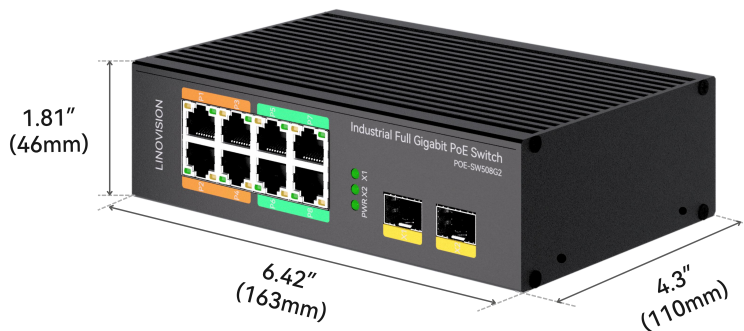
Front View



Side View



Dimension



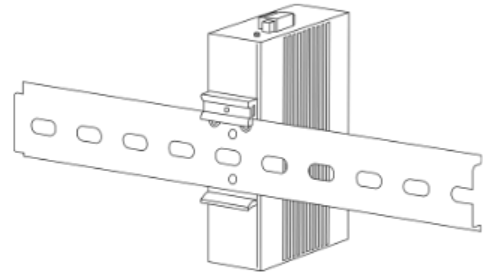
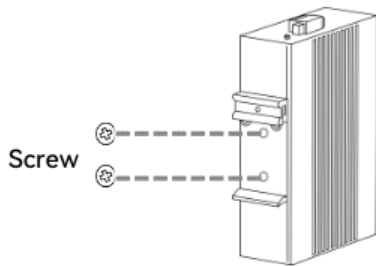
Weight: 573g (1.26 lb)

Hardware Specifications

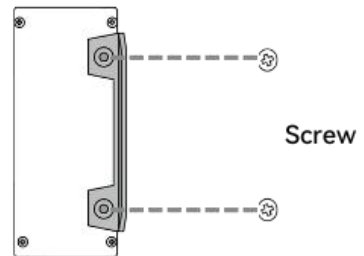
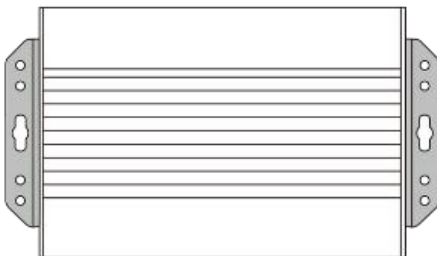
Mechanical Specs	
Dimensions (W*D*H)	159 × 49.5 × 110.5 mm (6.26 × 1.95 × 4.35 in)
Weight	665 g (1.47 lb)
Material	Metal
Protection Rating	IP40
Installation	Din-Rail/Wall Mount
Interfaces	
Ethernet Port	8 * 10/100/1000Base-T RJ45 Ports 2 * 1000Base-X SFP Slots
Power Supply	48-56V DC
Connector	Removable 4-pin terminal block Pin 1/2 for Power 1 Pin 3/4 for Power 2
LED Indicator	PWR: Power (green) X1, X2: SFP (green) Network Indicator: Link (yellow)
Power over Ethernet	
PoE Port	Port 1-4: IEEE802.3bt PoE++ Max.90 W Port 5-8: IEEE802.3at PoE+ Max.30 W
PoE Power Supply Type	End-span
Power Pin Assignment	Port 1-4: 1/2/4/5(+), 3/6/7/8(-) Port 5-8: 1/2(+), 3/6(-)
PoE Power Budget	360W (default power supply supports up to 120W)
Switching Features	
Switch Architecture	Store-and-Forward
Switching Capacity	32 Gbps
Packet Forwarding Rate	16.86 Mpps
MAC Address Table	8 KB
Flow Control	IEEE802.3x pause frame for full duplex Back pressure for half duplex
Standards Conformance	
Regulatory Compliance	FCC Part15 Class A, CE, ROHS
Standard	IEEE802.3i 10 BASE-T IEEE802.3u 100 BASE-TX IEEE802.3ab 1000BASE-T

Standard	IEEE802.3x Flow Control IEEE802.3af Power over Ethernet IEEE802.3at Power over Ethernet IEEE802.3bt Power over Ethernet IEEE802.3az EEE
Environment	
Operating Temperature	-40°C to 75°C (-40°F to 167°F)
Storage Temperature	-50°C to 85°C (-58°F to 185°F)
Operating Humidity	0% to 95% non-condensing
Storage Humidity	0% to 95% non-condensing
Surge Protection	Differential mode ± 2 KV, Common mode ± 6 KV
ESD Protection	Contact ± 6 KV, Air ± 8 KV

Installation



DIN-Rail Mounting



Wall Mounting

Package Contents



x1

POE-SW508G2



x1

UL Listed
AC 110~240V to DC 48V 2.5A
Power Adapter



x1

DIN-Rail Mounting Accessory



x1

Wall Mounting Accessory



x1

User Manual