

POE-Switch0504GDF

Industrial 4-Port Full Gigabit Solar PoE Switch with 9 to 57V DC Input



POE-Switch0504GDF is a Mini Industrial 5 ports unmanaged Solar PoE switch, featuring 9 to 57V DC inputs and Voltage Booster. It offers 4 10/100/1000Mbps PoE ports and 1 1000Mbps SFP slot. This PoE switch is designed to match the critical industrial standards. With reliable and simple operation against vibration and shock, and wide operation temperature range, it could match a variety of harsh environment. The switch complies with CE and FCC standards, and passed the 100% burning test to ensure that it will fulfill the needs of industrial applications. It is a good choice for an economical solution for industrial Ethernet connections.

Outstanding Features

- **DC 9 to 57V PoE Switch:** Support DC 9 to 57V input and IEEE802.3af/at PoE output with built-in voltage booster
- **Full Gigabit PoE Switch with SFP Port:** Providing 4 10/100/1000Mbps Ethernet PoE ports and 1 1000Mbps SFP slot. All PoE ports are compliant to IEEE802.3af/at. Total PoE budget 120W (DC24V/DC48V input) or 60W (DC12V input)
- **Industrial Design:** Compact IP40 rugged metal enclosure; Wide working temperature -40 °F to 176 °F (-40°C to 80°C); Support DIN-Rail & Wall Mount
- **Redundant Power Supply:** Support 2 channel DC 9 to 57V redundant power inputs and auto failover, ensure high reliability networking system
- **Standard PoE:** Unlike some software emulated PoE, this PoE Switch adopts hardware IEEE802.3af/at PoE chipset and compatible to Mode A PD device
- **APPLICATIONS:** Standard PoE supply in solar power system (DC12V/DC18V/DC36V input), RV/Vehicle/Truck/Bus (DC12V input), VoIP/Access control systems (DC24V input)
- **Flow Control:** Supports 802.3x Flow Control

POE-Switch0504GDF	
Ethernet	
Standard	IEEE 802.3 Ethernet IEEE 802.3u Fast Ethernet IEEE 802.3ab Gigabit Ethernet IEEE 802.3x Full-Duplex Flow Control IEEE 802.3az Energy Efficient Ethernet (EEE) IEEE 802.3at Power over Ethernet Plus PSE IEEE 802.3af Power over Ethernet Plus
Forward & Filtering Rate	14,880pps (10Mbps) 14,8800pps (100Mbps) 14,88000pps (1000Mbps)
MAC Address Table	8k
Packet Buffer	1Mbits
Packet Length	10Kbytes
Switch Capacity	10Gbps/non-blocking
Exchange Property	Backplane bandwidth: 10Gbps; Packet forwarding rate: 14.88Mpps
Interface	
Connector	4* 10/100/1000Mbps PoE and injector function RJ45 Ports
Optical Port	1* 1000Mbps SFP Slot
PoE (Power over Ethernet)	
PoE Standard	IEEE802.3af/at
PoE Port	RJ45
PoE Budget	Up to 120W PoE budget (48VDC), 90W PoE budget (24VDC), 60W PoE budget (12VDC)
Power Pin Assignment	1/2(+), 3/6(-)
Environmental	
Operating Temperature	-40°F to 176°F(-40°C to 80°C)
Storage Temperature	-40°F to 185°F(-40°C to 85°C)
Operating Humidity	5% to 95% non-condensing
MTBF	> 200,000 hrs
Electrical and Mechanical	
Dimensions (W*H*D)	3.74×2.75×1.14"(95×70×29mm)
Input Power	9 to 57VDC (Terminal Block)
Power Consumption	<125W (Non-PoE<6W)
Power Input Overload	Automatic Resettable
Reverse Polarity	Present
Weight	0.25Kg
Casing	Aluminum Case
Installation	DIN-rail Installation; Wall-mounted Installation
LED Indicators	
PWR	Power
L/A	Link/Activity
PoE	PoE Status
Regulatory Approvals	
ISO9001	
EN55022:2010+AC: 2011, Class A	
EN 61000-3-2: 2006+A1: 2009+A2: 2009	
EN 61000-3-3: 2013	
EN55032:2017	
IEC 61000-4-2: 2008 (ESD)	
IEC 61000-4-3: 2010 (RS)	
IEC 61000-4-4: 2012 (EFT)	
IEC 61000-4-5: 2014 (Surge)	
IEC 61000-4-6: 2013 (CS)	
IEC 61000-4-8: 2009 (PFMF)	

Package included



POE-Switch0504GDF



DIN-Rail Mounting Accessory

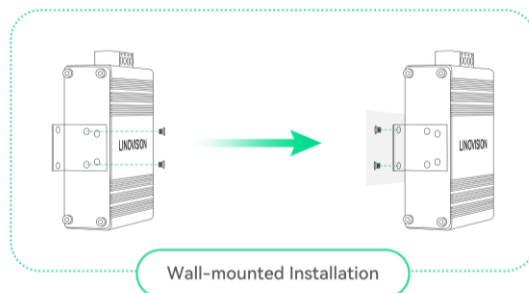
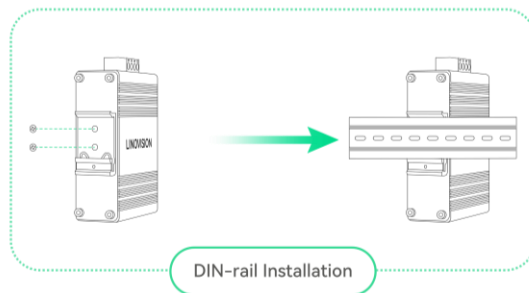


Wall Mounting Accessory



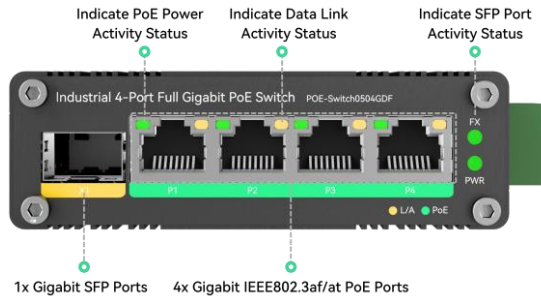
User Manual

Installation

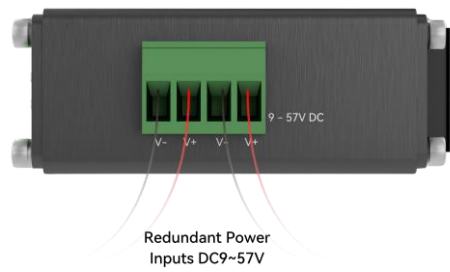


Interface

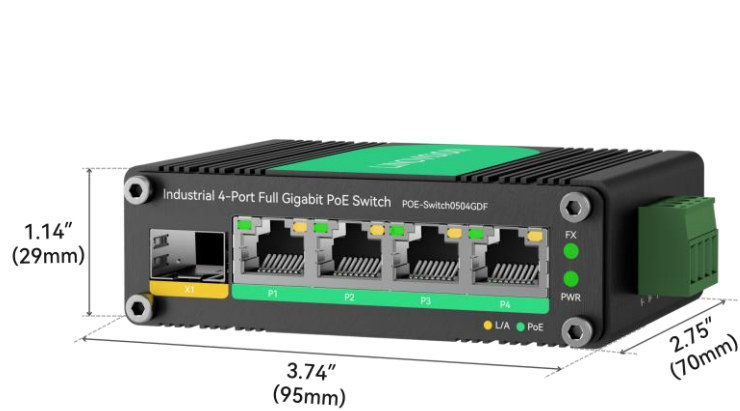
Front View



Side View



Dimension



**Disclaimer: Technical specifications may subject to change without prior notice*